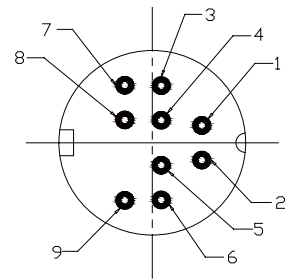
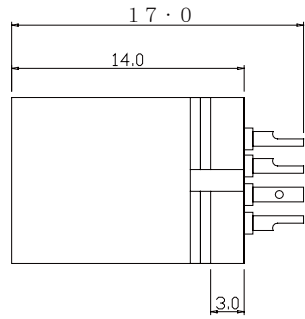
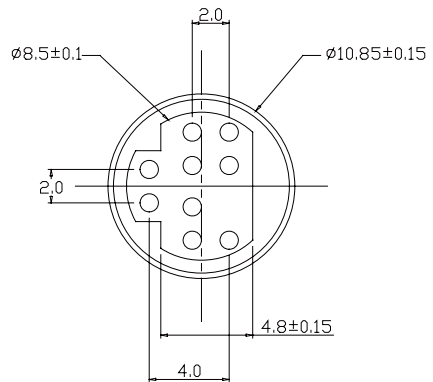


BY	CHK	REVISION RECORD MODIFICATIONS	DATE	REV.
ALLEN		RELEASE TO PRODUCTION	2007,9,12	1.0



No.	Name	Q'TY	Material	Remarks&Thickness	Finish
1	Contact	9	Copper Alloy	T:0.60mm	Selective
2	Housing	1	P.B.T	UL 94-V0	Black
3	Shell	1	Copper Alloy	T:0.40mm	Nickel Plated

Part No.: MDM-F09SB-L

APPRO	CHECK	DRAWN	PART NO.	Part No.:MDM-F09SB-L	DESCRIPTION	
			ITEM NO.			
			DRAW NO.			
			UNIT	mm SCALE no		
			TOLER	NO.		
Tel:0769 22020068 Fax: 0769 22020069 E-mail: sales@vigortec.com						